

Dry Ice loading instruction

For va-Q-proof 110P – 240P

Note:

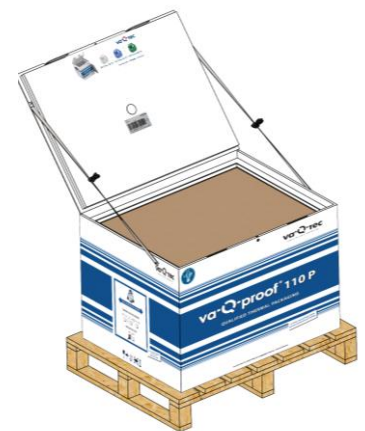
Dry Ice is a hazardous substance. Before using a va-Q-proof with Dry Ice, undertake a risk assessment with your health and safety department to ensure all appropriate safeguards according to local regulations are in place. Make sure to handle the box only in well ventilated areas. When handling Dry Ice wear insulated gloves and safety goggles.

For the Dry Ice filling process, the va-Q-proof 110P is shown exemplary in the figures. The following loading instruction is valid for: **va-Q-proof 110P & 240P**.



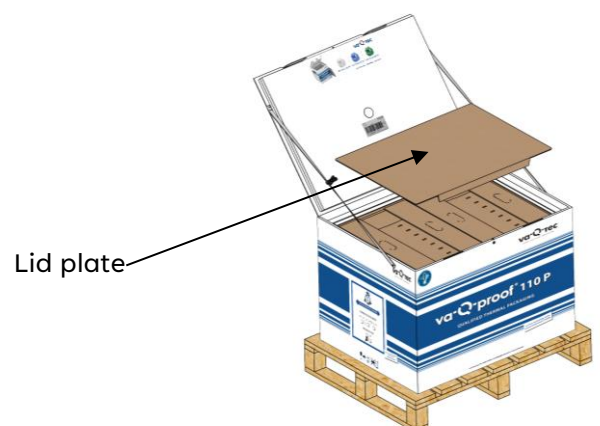
Step I

Open the lid of the va-Q-proof. Before placing dry ice in a va-Q-proof make sure the va-Q-proof is equipped with the dry ice separators according to the SOP “Loading instruction for the dry ice separators” and an inner cardboard box. The inner cardboard box is necessary to provide additional stability to the dry ice separators when filling it with dry ice.



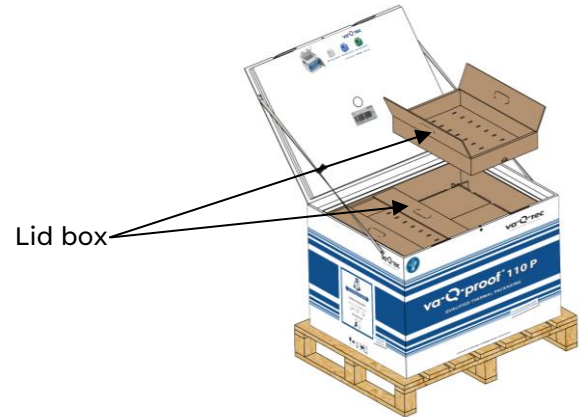
Step II

Take out the lid plate, which is on top.



Step III

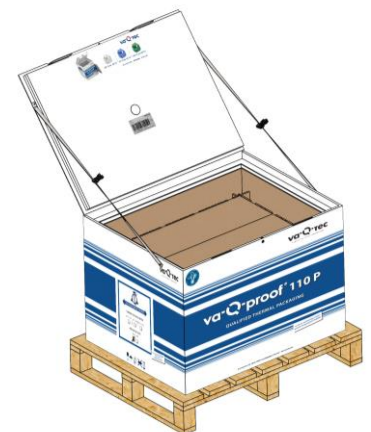
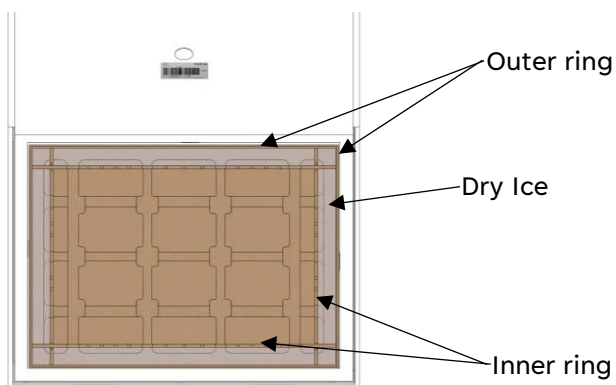
Take out the two lid boxes, which sit on top of the inner ring.



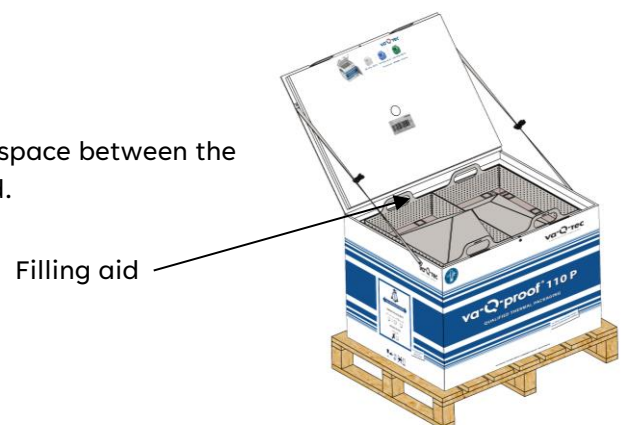
Step IV

Fill up the space between the inner ring and the outer ring with dry ice. The targeted dry ice weight is defined in the Table 1: Dry Ice weight overview at the end of this document.

Once the space between the inner ring and outer ring is filled up with dry ice, the product can be loaded into the inner cardboard box.

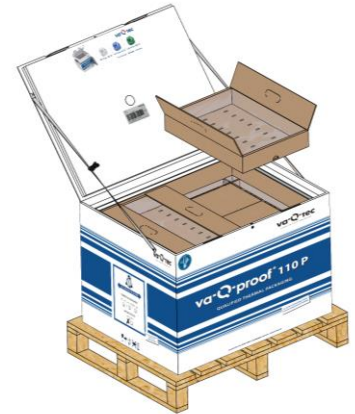


Note: To facilitate and speed up the filling process of the space between the inner and the outer ring, va-Q-tec can provide a filling aid.



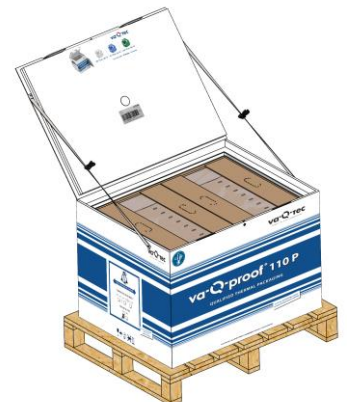
Step V

Place the lid boxes back onto the inner ring and fill them up with dry ice. Ensure, that the dry ice does not exceed the upper edge of the lid boxes. The targeted dry ice weight can be found in the Table 1: Dry Ice weight overview at the end of this document.



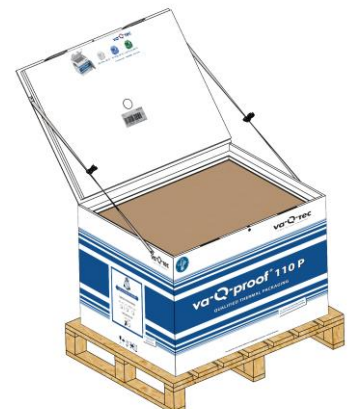
Step VI

Fold the flaps with the handles of the lid boxes down, so they create an even surface.



Step VII

Put the lid plate back on top of the lid boxes.



Step VII

Close the lid of the va-Q-proof and seal the lid with adhesive tape at the marked position.



Dry ice weight

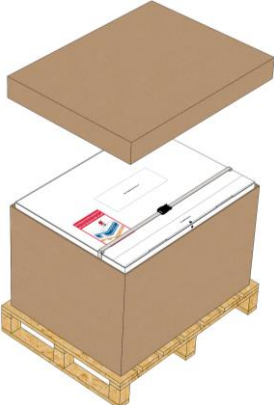
	Side compartment		Lid compartment ¹	
				
va-Q-proof 110P	29.0 [kg]	63.9 [lbs]	14.0 [kg]	30.9 [lbs]
va-Q-proof 240P	40.0 [kg]	88.2 [lbs]	21.0 [kg]	46.3 [lbs]

Table 1: Dry Ice weight overview

¹ Gross weight of two lid boxes.